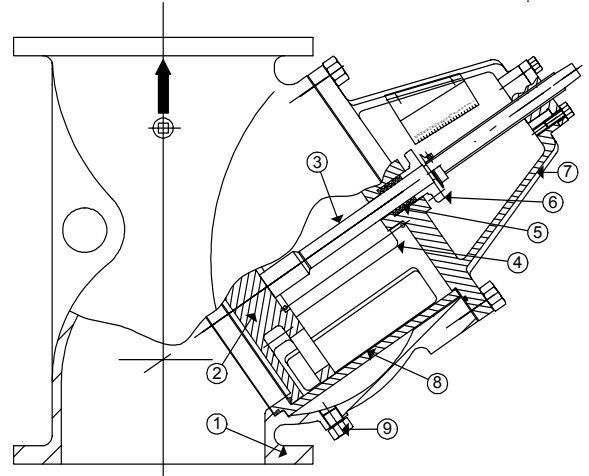


TRIPLE DUTY VALVE INSTALLATION – INSTRUCTIONS

INSTALLATION

- Ensure all machined surfaces are free of defect and that the inside of the valve is free of foreign objects.
- The valve should be installed on the discharge side of the pump with the flow arrow pointed away from the pump discharge.
- Minimum recommended space for pump sizes 2" – 6" is 12". Minimum recommended space for pump sizes 8" – 14" is 24".
- It is not recommended to mount a valve directly to the pump.
- Sufficient clearance should be left around the valve for removal and/or repair.
- Valve should be mounted with the stem pointing up to facilitate proper seating of the valve disc.
- When connecting the valve to the line be sure that the flanges are the same – flat face to flat face. Flat face flanges require full face gaskets. The specified face-to-face dimension of the valve is approximate due to machining tolerances. Allow adjustment in prefabricated piping or request certified dimensions.
- Check to see that flange gaskets are properly positioned before tightening the bolts. Tighten bolts gradually in a back and forth clockwise motion.
- Once installed, "crack" the valve open before starting the pump.
- Gradually adjust the stem until the proper flow rate is reached. Tapped ports are provided on the valve to insert equipment to measure the valve pressure differential.



ITEM	PART NAME	QTY
1	BODY	1
2	DISC	1
3	STEM	1
4	SPRING	1
5	PACKING	6
6	GLAND	1
7	COVER	1
8	GUIDE	1
9	PLUG	1
	O-RINGS	

MAINTENANCE

- Before starting make a note of the position of the stem indicator.
- Shut down the pump and close the isolation valves.
- Open the valve completely so that the stem back seats against the inside of the yoke cover. Loosen the two nuts holding the flanged gland.
- Remove the old packing and clean out the packing box.
- Place a set (usually three or four) of the new packing rings around the stem. Be sure to stagger the 45-degree split in the packing rings. Press packing rings into the packing box.
- Replace the flanged gland and nuts. Do not over tighten or the stem may seize.
- Adjust the valve stem indicator to its original position. If there is any leakage around the packing, tighten both gland nuts a ¼ turn at a time until the leakage stops. It is very important that the gland nuts be tightened evenly.
- For all other maintenance, please contact the factory.