

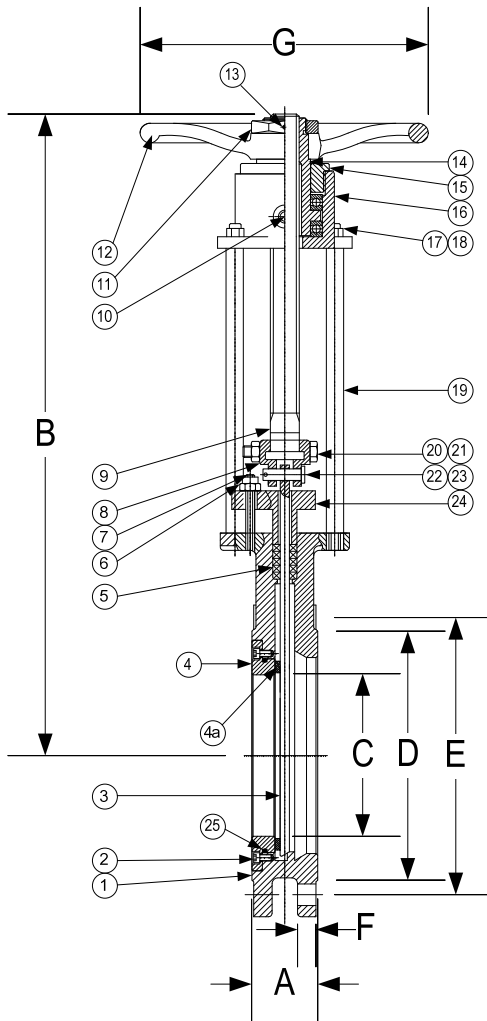
DESIGN	2" to 24"
	150 PSI COLD WORKING PRESSURE

DRAWING NO.  
AL 110520

PARTS LIST

ITEM	DESCRIPTION	MATERIAL
1	Body	Stainless Steel (ASTM A 351, Grade CF8)
2	Inner Hex Head Screws (2)	Stainless Steel (ASTM A 193, Grade B8)
3	Gate	Stainless Steel (ASTM A 276, Grade F-304)
4	Valve Seat	Stainless Steel (ASTM A 351, Grade CF8)
4a	Valve Seat Surface*	(See Below)
5	Packing	PTFE
6,18,21	Nut	Stainless Steel (ASTM A 194, Grade 8)
7	Stud	Stainless Steel (ASTM A 193, Grade B8)
8	Clamp Plate	Stainless Steel (ASTM A 351, Grade CF8)
9	Stem	Stainless Steel (ASTM A 276, Grade F-304)
10	Grease Fitting	Stainless Steel (ASTM A 276, Grade F-304)
11	Handwheel Nut	Carbon Steel (AISI 1025)
12	Handwheel	Ductile Iron (ASTM A 536)
13	Screw	Stainless Steel (ASTM A 193, Grade B8)
14	Stem Nut	Bronze Alloy (ASTM B 148)
15	Gland	Stainless Steel (ASTM A 351, Grade CF8)
16	Top Yoke	Stainless Steel (ASTM A 351, Grade CF8)
17	Spring Washer	Stainless Steel (ASTM A 276, Grade F-304)
19	Post (Chrome Plated)	Carbon Steel (AISI 1035)
20	Bolt	Stainless Steel (ASTM A 193, Grade B8)
22	Straight Pin	Stainless Steel (ASTM A 276, Grade F-304)
23	Cotter Pin	Stainless Steel (ASTM A 276, Grade F-304)
24	Packing Gland	Stainless Steel (ASTM A 351, Grade CF8)
25	O-Ring	(Same as 4a)


\*Valve Seat Surface Options: Buna-N, Viton, EPDM, and PTFE.



PRODUCT NUMBER	SIZE	DIMENSIONS (in)							WEIGHT (lbs)
		A	B	C	D	E	F	G	
22KGV-34-_UM	2	1.88	10.83	1.81	3.62	4.75	0.50	8.00	20
21/22KGV-34-_UM	2-1/2	2.00	11.81	2.36	4.13	5.50	0.50	8.00	23
32KGV-34-_UM	3	2.00	12.52	2.76	5.00	6.00	0.50	8.00	27
42KGV-34-_UM	4	2.00	14.80	3.78	6.20	7.50	0.50	8.00	35
52KGV-34-_UM	5	2.25	18.11	4.72	7.28	8.50	0.63	10.00	47
62KGV-34-_UM	6	2.25	19.29	5.71	8.50	9.50	0.63	10.00	57
82KGV-34-_UM	8	2.75	22.83	7.64	10.63	11.75	0.63	12.00	86
102KGV-34-_UM	10	2.75	28.15	9.65	12.76	14.25	0.75	14.00	141
122KGV-34-_UM	12	3.00	33.27	11.81	15.00	17.00	0.75	14.00	187
142KGV-34-_UM	14	3.00	37.36	12.99	16.26	18.75	0.81	16.00	265
162KGV-34-_UB	16*	3.50	42.60	14.96	18.50	21.25	0.88	16.00	381
182KGV-34-_UB	18*	3.50	45.39	16.54	21.00	22.75	0.94	20.00	474
202KGV-34-_UB	20*	4.50	50.94	18.50	23.00	25.00	1.00	22.00	637
242KGV-34-_UB	24*	4.50	56.69	22.44	27.26	29.50	1.00	23.62	884

\*16" - 24" standard with Bevel Gear. (Not Shown).

B	Buna-N
V	Viton
E	EPDM
P	PTFE

 3400 CLEVELAND SKOKIE ILLINOIS	DRAWING NO. AL 110520
	PART NO. 2KGV-34-_UM
DIMENSIONAL ASSEMBLY	SCALE: NTS
150# Flg. Style KGV Manual Operated	DATE: 05/13/2013
Uni-Directional Knife Gate Valve	DR. BY DSF
MAT'L: Cast Stainless Steel (304)	REQ. ---