

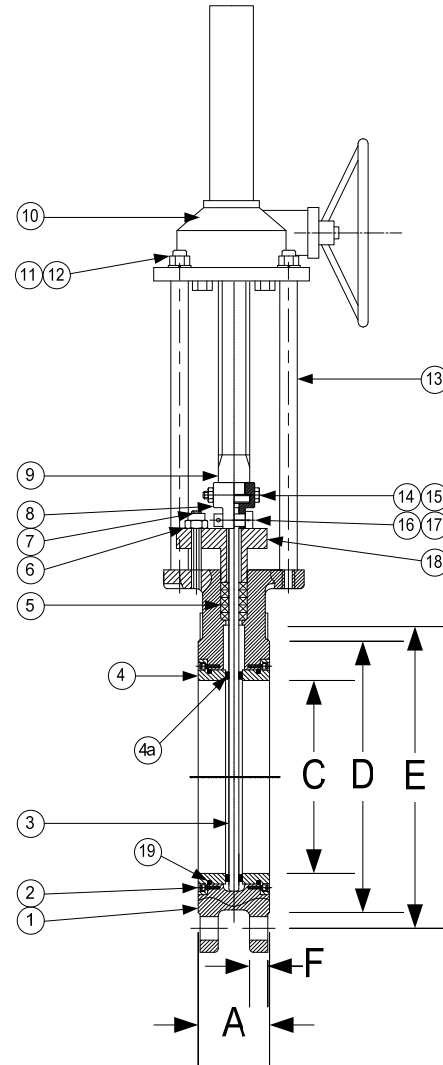
DESIGN	2" to 24"
	150 PSI COLD WORKING PRESSURE

DRAWING NO.  
AL 111140


PARTS LIST

ITEM	DESCRIPTION	MATERIAL
1	Body	Stainless Steel (ASTM A 351, Grade CF8M)
2	Inner Hex Head Screws (4)	Stainless Steel (ASTM A 193, Grade B8)
3	Gate	Stainless Steel (ASTM A 276, Grade F-316)
4	Valve Seats (2)	Stainless Steel (ASTM A 351, Grade CF8M)
4a	Valve Seat Surface* (2)	Stainless Steel (ASTM A 351, Grade CF8M)
5	Packing	PTFE
6,12,15	Nut	Stainless Steel (ASTM A 194, Grade 8)
7	Stud	Stainless Steel (ASTM A 193, Grade B8)
8	Clamp Plate	Stainless Steel (ASTM A 351, Grade CF8)
9	Stem	Stainless Steel (ASTM A 276, Grade F-304)
10	Bevel Gear Operator	
11	Spring Washer	Stainless Steel (ASTM A 276, Grade F-304)
13	Post (Chrome Plated)	Carbon Steel (AISI 1035)
14	Bolt	Stainless Steel (ASTM A 193, Grade B8)
16	Straight Pin	Stainless Steel (ASTM A 276, Grade F-304)
17	Cotter Pin	Stainless Steel (ASTM A 276, Grade F-304)
18	Packing Gland	Stainless Steel (ASTM A 351, Grade CF8)
19	O-Rings (2)	(See Below)

\*O-Ring Options: Buna-N, Viton, EPDM, and PTFE.



PRODUCT NUMBER	SIZE	DIMENSIONS (in)					WEIGHT (lbs)
		A	C	D	E	F	
22KGV-36-MBB	2	1.88	1.81	3.62	4.75	0.50	20
21/22KGV-36-MBB	2-1/2	2.00	2.36	4.13	5.50	0.50	23
32KGV-36-MBB	3	2.00	2.76	5.00	6.00	0.50	27
42KGV-36-MBB	4	2.00	3.78	6.20	7.50	0.50	35
52KGV-36-MBB	5	2.25	4.72	7.28	8.50	0.63	47
62KGV-36-MBB	6	2.25	5.71	8.50	9.50	0.63	57
82KGV-36-MBB	8	2.75	7.64	10.63	11.75	0.63	86
102KGV-36-MBB	10	2.75	9.65	12.76	14.25	0.75	141
122KGV-36-MBB	12	3.00	11.81	15.00	17.00	0.75	187
142KGV-36-MBB	14	3.00	12.99	16.26	18.75	0.81	265
162KGV-36-MBB	16	3.50	14.96	18.50	21.25	0.88	381
182KGV-36-MBB	18	3.50	16.54	21.00	22.75	0.94	474
202KGV-36-MBB	20	4.50	18.50	23.00	25.00	1.00	637
242KGV-36-MBB	24	4.50	22.44	27.26	29.50	1.00	884

 3400 CLEVELAND SKOKIE ILLINOIS	DRAWING NO. AL 111140
	PART NO. 2KGV-36-MBB
DIMENSIONAL ASSEMBLY	
150# Flg. Style KGV Bevel Gear Operated	
Bi-Directional Knife Gate Valve	
MAT'L: Cast Stainless Steel (316)	REQ. ---
SCALE: NTS	
DATE: 05/13/2013	
DR. BY DSF	