

|        |                               |
|--------|-------------------------------|
| DESIGN | 2" to 24"                     |
|        | 150 PSI COLD WORKING PRESSURE |

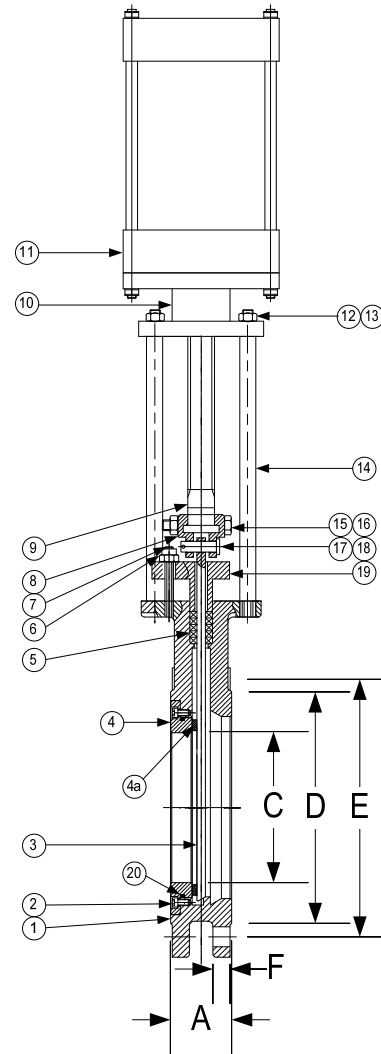
DRAWING NO.  
AL 111200


PARTS LIST

| ITEM    | DESCRIPTION               | MATERIAL                                  |
|---------|---------------------------|---|
| 1       | Body                      | Stainless Steel (ASTM A 351, Grade CF8M)  |
| 2       | Inner Hex Head Screws (2) | Stainless Steel (ASTM A 193, Grade B8)    |
| 3       | Gate                      | Stainless Steel (ASTM A 276, Grade F-316) |
| 4       | Valve Seat                | Stainless Steel (ASTM A 351, Grade CF8M)  |
| 4a      | Valve Seat Surface*       | Stainless Steel (ASTM A 351, Grade CF8M)  |
| 5       | Packing                   | PTFE                                      |
| 6,13,16 | Nut                       | Stainless Steel (ASTM A 194, Grade 8)     |
| 7       | Stud                      | Stainless Steel (ASTM A 193, Grade B8)    |
| 8       | Clamp Plate               | Stainless Steel (ASTM A 351, Grade CF8)   |
| 9       | Stem                      | Stainless Steel (ASTM A 276, Grade F-304) |
| 10      | Mounting Bracket          |   |
| 11      | Air Cylinder              |   |
| 12      | Spring Washer             | Stainless Steel (ASTM A 276, Grade F-304) |
| 14      | Post (Chrome Plated)      | Carbon Steel (AISI 1035)                  |
| 15      | Bolt                      | Stainless Steel (ASTM A 193, Grade B8)    |
| 17      | Straight Pin              | Stainless Steel (ASTM A 276, Grade F-304) |
| 18      | Cotter Pin                | Stainless Steel (ASTM A 276, Grade F-304) |
| 19      | Packing Gland             | Stainless Steel (ASTM A 351, Grade CF8)   |
| 20      | O-Ring                    | (See Below)                               |

\*O-Ring Options: Buna-N, Viton, EPDM, and PTFE.

| PRODUCT NUMBER  | SIZE  | DIMENSIONS (in) |       |       |       |      | WEIGHT (lbs) |
|-----------------|-------|-----------------|-------|-------|-------|------|--------------|
|                 |       | A               | C     | D     | E     | F    |              |
| 22KGV-36-MUA    | 2     | 1.88            | 1.81  | 3.62  | 4.75  | 0.50 | 20           |
| 21/22KGV-36-MUA | 2-1/2 | 2.00            | 2.36  | 4.13  | 5.50  | 0.50 | 23           |
| 32KGV-36-MUA    | 3     | 2.00            | 2.76  | 5.00  | 6.00  | 0.50 | 27           |
| 42KGV-36-MUA    | 4     | 2.00            | 3.78  | 6.20  | 7.50  | 0.50 | 35           |
| 52KGV-36-MUA    | 5     | 2.25            | 4.72  | 7.28  | 8.50  | 0.63 | 47           |
| 62KGV-36-MUA    | 6     | 2.25            | 5.71  | 8.50  | 9.50  | 0.63 | 57           |
| 82KGV-36-MUA    | 8     | 2.75            | 7.64  | 10.63 | 11.75 | 0.63 | 86           |
| 102KGV-36-MUA   | 10    | 2.75            | 9.65  | 12.76 | 14.25 | 0.75 | 141          |
| 122KGV-36-MUA   | 12    | 3.00            | 11.81 | 15.00 | 17.00 | 0.75 | 187          |
| 142KGV-36-MUA   | 14    | 3.00            | 12.99 | 16.26 | 18.75 | 0.81 | 265          |
| 162KGV-36-MUA   | 16    | 3.50            | 14.96 | 18.50 | 21.25 | 0.88 | 381          |
| 182KGV-36-MUA   | 18    | 3.50            | 16.54 | 21.00 | 22.75 | 0.94 | 474          |
| 202KGV-36-MUA   | 20    | 4.50            | 18.50 | 23.00 | 25.00 | 1.00 | 637          |
| 242KGV-36-MUA   | 24    | 4.50            | 22.44 | 27.26 | 29.50 | 1.00 | 884          |



|   |                          |
|---|--------------------------|
| <br>3400 CLEVELAND SKOKIE ILLINOIS | DRAWING NO.<br>AL 111200 |
|   | PART NO.<br>2KGV-36-MUA  |
| DIMENSIONAL ASSEMBLY  | SCALE: NTS               |
| 150# Flg. Style KGV Air Cylinder Operated   | DATE: 05/13/2013         |
| Uni-Directional Knife Gate Valve  | DR. BY DSF               |
| MAT'L: Cast Stainless Steel (316)   | REQ. ---                 |