

DESIGN	2" to 24"
	150 PSI COLD WORKING PRESSURE

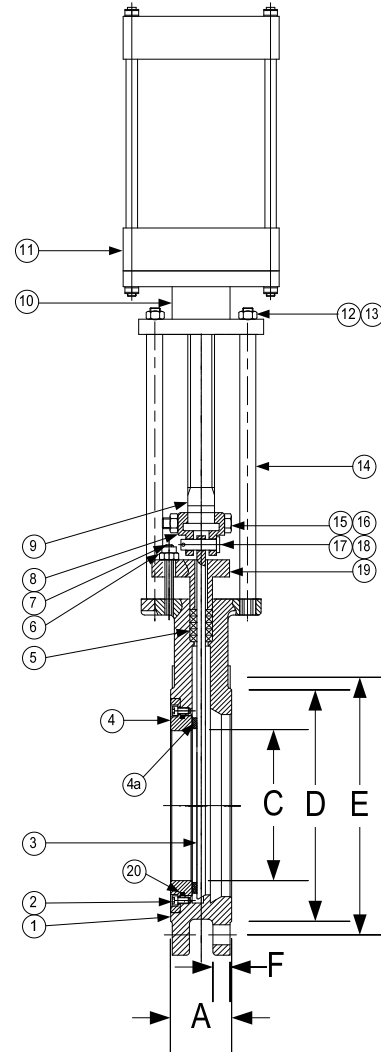
DRAWING NO.
AL 111300


PARTS LIST

ITEM	DESCRIPTION	MATERIAL
1	Body	Stainless Steel (ASTM A 351, Grade CF8M)
2	Inner Hex Head Screws (2)	Stainless Steel (ASTM A 193, Grade B8)
3	Gate	Stainless Steel (ASTM A 276, Grade F-316)
4	Valve Seat	Stainless Steel (ASTM A 351, Grade CF8M)
4a	Valve Seat Surface*	Stainless Steel (ASTM A 351, Grade CF8M)
5	Packing	PTFE
6,13,16	Nut	Stainless Steel (ASTM A 194, Grade 8)
7	Stud	Stainless Steel (ASTM A 193, Grade B8)
8	Clamp Plate	Stainless Steel (ASTM A 351, Grade CF8)
9	Stem	Stainless Steel (ASTM A 276, Grade F-304)
10	Mounting Bracket	
11	Hydraulic Cylinder	
12	Spring Washer	Stainless Steel (ASTM A 276, Grade F-304)
14	Post (Chrome Plated)	Carbon Steel (AISI 1035)
15	Bolt	Stainless Steel (ASTM A 193, Grade B8)
17	Straight Pin	Stainless Steel (ASTM A 276, Grade F-304)
18	Cotter Pin	Stainless Steel (ASTM A 276, Grade F-304)
19	Packing Gland	Stainless Steel (ASTM A 351, Grade CF8)
20	O-Ring	(See Below)

*O-Ring Options: Buna-N, Viton, EPDM, and PTFE.

PRODUCT NUMBER	SIZE	DIMENSIONS (in)					WEIGHT (lbs)
		A	C	D	E	F	
22KGV-36-MUH	2	1.88	1.81	3.62	4.75	0.50	20
21/22KGV-36-MUH	2-1/2	2.00	2.36	4.13	5.50	0.50	23
32KGV-36-MUH	3	2.00	2.76	5.00	6.00	0.50	27
42KGV-36-MUH	4	2.00	3.78	6.20	7.50	0.50	35
52KGV-36-MUH	5	2.25	4.72	7.28	8.50	0.63	47
62KGV-36-MUH	6	2.25	5.71	8.50	9.50	0.63	57
82KGV-36-MUH	8	2.75	7.64	10.63	11.75	0.63	86
102KGV-36-MUH	10	2.75	9.65	12.76	14.25	0.75	141
122KGV-36-MUH	12	3.00	11.81	15.00	17.00	0.75	187
142KGV-36-MUH	14	3.00	12.99	16.26	18.75	0.81	265
162KGV-36-MUH	16	3.50	14.96	18.50	21.25	0.88	381
182KGV-36-MUH	18	3.50	16.54	21.00	22.75	0.94	474
202KGV-36-MUH	20	4.50	18.50	23.00	25.00	1.00	637
242KGV-36-MUH	24	4.50	22.44	27.26	29.50	1.00	884



 3400 CLEVELAND SKOKIE ILLINOIS	DRAWING NO. AL 111300
	PART NO. 2KGV-36-MUH
DIMENSIONAL ASSEMBLY	SCALE: NTS
150# Flg. Style KGV Hydraulic Cylinder	DATE: 05/13/2013
Operated Uni-Directional Knife Gate Valve	DR. BY DSF
MAT'L: Cast Stainless Steel (316)	REQ. ---