

| | |
|--------|-------------------------------|
| DESIGN | 2" to 24" |
| | 150 PSI COLD WORKING PRESSURE |

DRAWING NO.
AL 111220

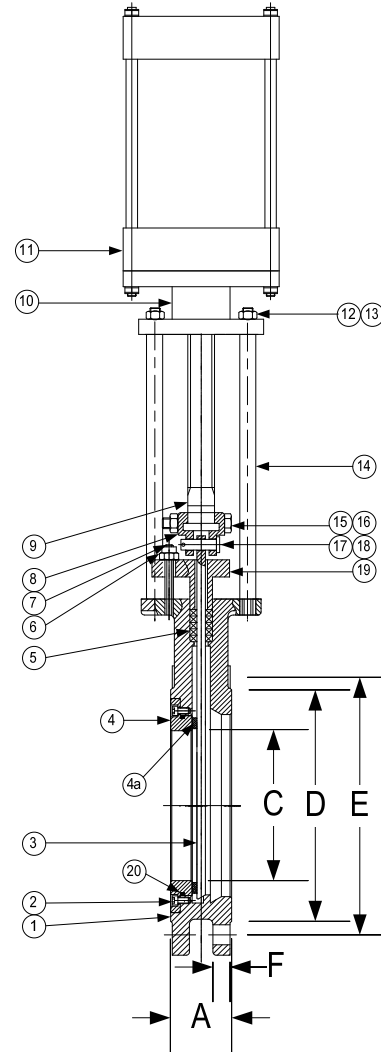
PARTS LIST


| ITEM | DESCRIPTION | MATERIAL |
|---------|---------------------------|---|
| 1 | Body | Stainless Steel (ASTM A 351, Grade CF8M) |
| 2 | Inner Hex Head Screws (2) | Stainless Steel (ASTM A 193, Grade B8) |
| 3 | Gate | Stainless Steel (ASTM A 276, Grade F-316) |
| 4 | Valve Seat | Stainless Steel (ASTM A 351, Grade CF8M) |
| 4a | Valve Seat Surface* | (See Below) |
| 5 | Packing | PTFE |
| 6,13,16 | Nut | Stainless Steel (ASTM A 194, Grade 8) |
| 7 | Stud | Stainless Steel (ASTM A 193, Grade B8) |
| 8 | Clamp Plate | Stainless Steel (ASTM A 351, Grade CF8) |
| 9 | Stem | Stainless Steel (ASTM A 276, Grade F-304) |
| 10 | Mounting Bracket | |
| 11 | Air Cylinder | |
| 12 | Spring Washer | Stainless Steel (ASTM A 276, Grade F-304) |
| 14 | Post (Chrome Plated) | Carbon Steel (AISI 1035) |
| 15 | Bolt | Stainless Steel (ASTM A 193, Grade B8) |
| 17 | Straight Pin | Stainless Steel (ASTM A 276, Grade F-304) |
| 18 | Cotter Pin | Stainless Steel (ASTM A 276, Grade F-304) |
| 19 | Packing Gland | Stainless Steel (ASTM A 351, Grade CF8) |
| 20 | O-Ring | (Same as 4a) |

*Valve Seat Surface Options: Buna-N, Viton, EPDM, and PTFE.

| PRODUCT NUMBER | SIZE | DIMENSIONS (in) | | | | | WEIGHT (lbs) |
|-----------------|-------|-----------------|-------|-------|-------|------|--------------|
| | | A | C | D | E | F | |
| 22KGV-36- UA | 2 | 1.88 | 1.81 | 3.62 | 4.75 | 0.50 | 20 |
| 21/22KGV-36- UA | 2-1/2 | 2.00 | 2.36 | 4.13 | 5.50 | 0.50 | 23 |
| 32KGV-36- UA | 3 | 2.00 | 2.76 | 5.00 | 6.00 | 0.50 | 27 |
| 42KGV-36- UA | 4 | 2.00 | 3.78 | 6.20 | 7.50 | 0.50 | 35 |
| 52KGV-36- UA | 5 | 2.25 | 4.72 | 7.28 | 8.50 | 0.63 | 47 |
| 62KGV-36- UA | 6 | 2.25 | 5.71 | 8.50 | 9.50 | 0.63 | 57 |
| 82KGV-36- UA | 8 | 2.75 | 7.64 | 10.63 | 11.75 | 0.63 | 86 |
| 102KGV-36- UA | 10 | 2.75 | 9.65 | 12.76 | 14.25 | 0.75 | 141 |
| 122KGV-36- UA | 12 | 3.00 | 11.81 | 15.00 | 17.00 | 0.75 | 187 |
| 142KGV-36- UA | 14 | 3.00 | 12.99 | 16.26 | 18.75 | 0.81 | 265 |
| 162KGV-36- UA | 16 | 3.50 | 14.96 | 18.50 | 21.25 | 0.88 | 381 |
| 182KGV-36- UA | 18 | 3.50 | 16.54 | 21.00 | 22.75 | 0.94 | 474 |
| 202KGV-36- UA | 20 | 4.50 | 18.50 | 23.00 | 25.00 | 1.00 | 637 |
| 242KGV-36- UA | 24 | 4.50 | 22.44 | 27.26 | 29.50 | 1.00 | 884 |

| | |
|---|--------|
| B | Buna-N |
| V | Viton |
| E | EPDM |
| P | PTFE |



| | |
|---|--------------------------|
|  3400 CLEVELAND SKOKIE ILLINOIS | DRAWING NO. AL 111220 |
| | PART NO. 2KGV-36- UA |
| DIMENSIONAL ASSEMBLY | SCALE: NTS |
| 150# Flg. Style KGV Air Cylinder Operated | DATE: 05/13/2013 |
| Uni-Directional Knife Gate Valve | DR. BY DSF |
| MAT'L: Cast Stainless Steel (316) | REQ. --- |