

Style KGV

Carbon Steel (ASTM A 216, Grade WCB)

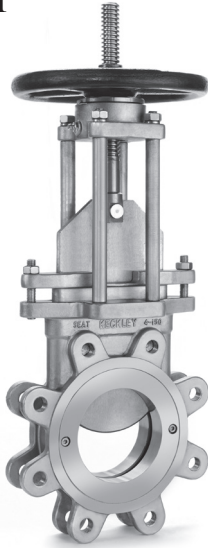
150 PSI

Stainless Steel (ASTM A 351, Grade CF8)

150 PSI

Stainless Steel (ASTM A 351, Grade CF8M)

150 PSI



Cylinder Actuation
2" - 24"



Bevel Gear Actuation
2" - 24"

Knife Gate Valve

APPLICATIONS

Pulp and paper, chemical, petrochemical, power, mining, waste water, food processing, and beverage where shut-off of liquids is required.

CONSTRUCTION

The Keckley Style KGV Knife Gate Valves are constructed from rugged castings that are machined to exacting specifications.

FEATURES

- Meets TAPPI TIS 405-8 and MSS SP-81 Standards on wafer-type knife gate valves for face to face dimensions.
- Flanges match ASME B16.5 Class 150. Holes tapped.
- 150 PSIG (10.3 Bar) max. working pressure. 150°F (65°C) max. working temperature. Applications outside of their conditions require special design considerations.
- Gate edge is beveled for easier packing seal and longer packing life.
- Meets MSS SP-81 shut-off requirements of 40cc per inch per minute at 40 PSI (water test).
- Non-clogging large port.
- Port diameter exceeds requirements of MSS SP-81.
- Replaceable resilient seats extend the service life of the valve. Resilient seats can be easily replaced after removing the valve from the line.

AVAILABLE OPTIONS

Actuation

- Manual Handwheel
- Double Acting Hydraulic Cylinder Operator
- Bevel Gear Operators
- Double Acting Spring-Return Pneumatic Cylinder Operator

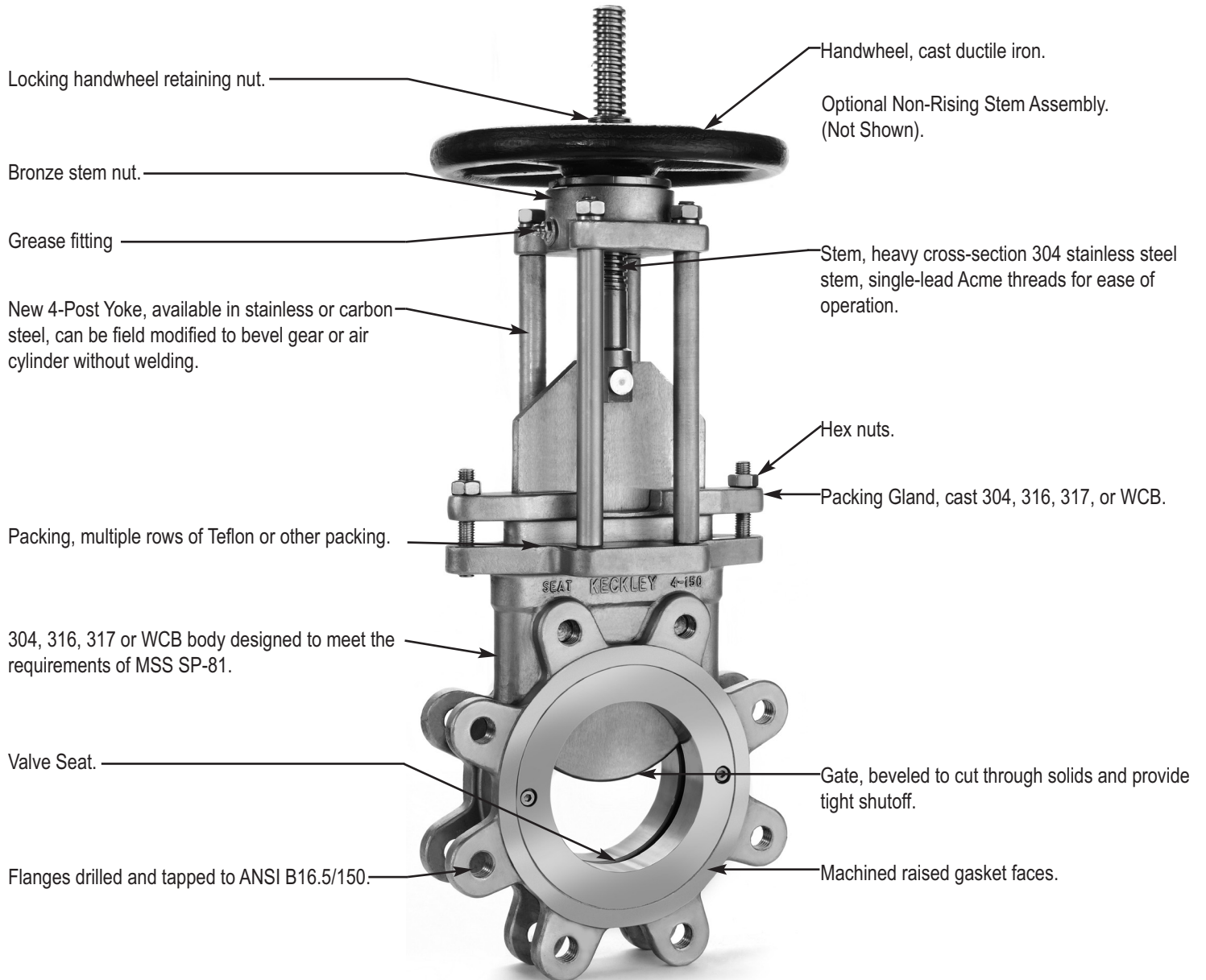
Automation

- Mechanical Limit Switches for Position Indication
- Proximity Limit Switches for Position Indication

ORDERING

Reference product number table for proper ordering code.

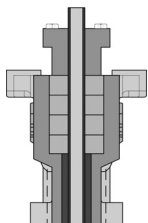
FEATURES



The Keckley Style KGV knife gate valves are available with numerous optional packing types and special packing arrangements to help ensure superior performance.

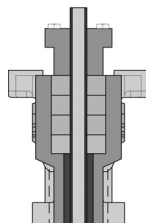
Standard Packing

Is an asbestos free Teflon impregnated synthetic suitable for services up to 500°F and a pH of 3-11, other packings include pure Teflon (0-13 pH) and food-grade Teflon and hi-temperature variations.



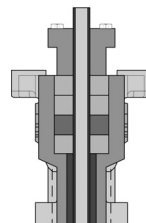
Gate Wiper

In viscous and scaling applications, a gate wiper can be added. Made from various materials, the wiper is fit to scrape the gate and deter solids from entering the packing area.



Enhanced Packing

Features Self-Mold SM636, a pliable packing material that forms itself to the interior of the packing box, filling any voids.



Cored Power Packing

Provides superior packing life with fewer adjustments, available in many different configurations.

