

DESIGN	2" to 24"
	150 PSI COLD WORKING PRESSURE

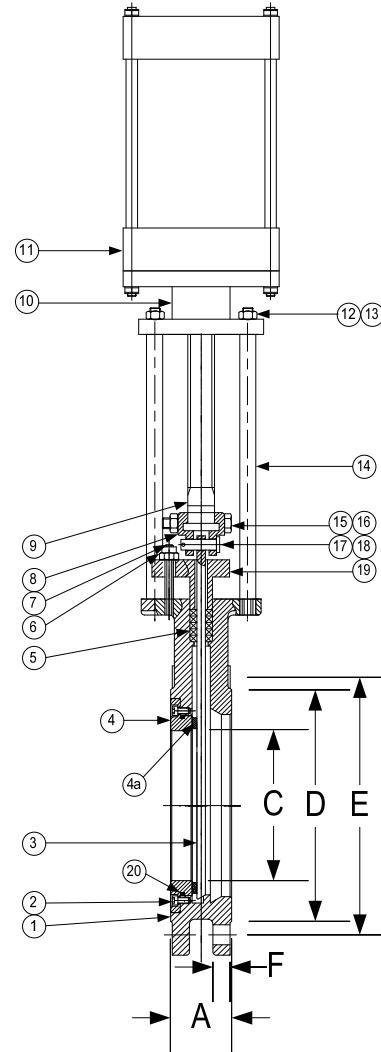
DRAWING NO.
AL 110200


PARTS LIST

ITEM	DESCRIPTION	MATERIAL
1	Body	Carbon Steel (ASTM A 216, Grade WCB)
2	Inner Hex Head Screws (2)	Alloy Steel (ASTM A 193, Grade B7)
3	Gate	Stainless Steel (ASTM A 276, Grade F-304)
4	Valve Seat	Carbon Steel (ASTM A 216, Grade WCB)
4a	Valve Seat Surface*	Carbon Steel (ASTM A 216, Grade WCB)
5	Packing	PTFE
6,13,16	Nut	Alloy Steel (ASTM A 194, Grade 2H)
7	Stud	Alloy Steel (ASTM A 193, Grade B7)
8	Clamp Plate	Carbon Steel (ASTM A 351, Grade WCB)
9	Stem	Stainless Steel (ASTM A 276, Grade F-410)
10	Mounting Bracket	
11	Air Cylinder	
12	Spring Washer	Carbon Steel (AISI 1065)
14	Post (Chrome Plated)	Carbon Steel (AISI 1035)
15	Bolt	Alloy Steel (ASTM A 193, Grade B7)
17	Straight Pin	Carbon Steel (AISI 1035)
18	Cotter Pin	Stainless Steel (ASTM A 276, Grade F-304)
19	Packing Gland	Carbon Steel (ASTM A 351, Grade WCB)
20	O-Ring	(See Below)

*O-Ring Options: Buna-N, Viton, EPDM, and PTFE.

PRODUCT NUMBER	SIZE	DIMENSIONS (in)					WEIGHT (lbs)
		A	C	D	E	F	
22KGV-CS-MUA	2	1.88	1.81	3.62	4.75	0.50	20
21/22KGV-CS-MUA	2-1/2	2.00	2.36	4.13	5.50	0.50	23
32KGV-CS-MUA	3	2.00	2.76	5.00	6.00	0.50	27
42KGV-CS-MUA	4	2.00	3.78	6.20	7.50	0.50	35
52KGV-CS-MUA	5	2.25	4.72	7.28	8.50	0.63	47
62KGV-CS-MUA	6	2.25	5.71	8.50	9.50	0.63	57
82KGV-CS-MUA	8	2.75	7.64	10.63	11.75	0.63	86
102KGV-CS-MUA	10	2.75	9.65	12.76	14.25	0.75	141
122KGV-CS-MUA	12	3.00	11.81	15.00	17.00	0.75	187
142KGV-CS-MUA	14	3.00	12.99	16.26	18.75	0.81	265
162KGV-CS-MUA	16	3.50	14.96	18.50	21.25	0.88	381
182KGV-CS-MUA	18	3.50	16.54	21.00	22.75	0.94	474
202KGV-CS-MUA	20	4.50	18.50	23.00	25.00	1.00	637
242KGV-CS-MUA	24	4.50	22.44	27.26	29.50	1.00	884



 3400 CLEVELAND SKOKIE ILLINOIS	DRAWING NO. AL 110200
	PART NO. 2KGV-CS-MUA
DIMENSIONAL ASSEMBLY	SCALE: NTS
150# Flg. Style KGV Air Cylinder Operated	DATE: 05/13/2013
Uni-Directional Knife Gate Valve	DR. BY DSF
MAT'L: Cast Carbon Steel	REQ. ---