

Style BVF2

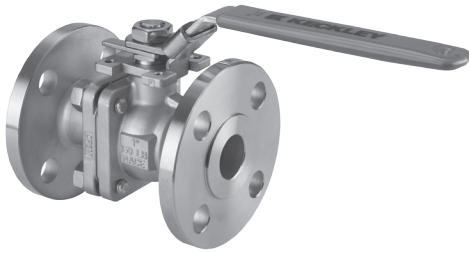
Ball Valve

Carbon Steel (ASTM A 216, Grade WCB)

150 lb. & 300 lb. Flanged

Stainless Steel (ASTM A 351, Grade CF8M)

150 lb. & 300 lb. Flanged



Split-Body Full Port Flanged Ball Valve

½" - 1" Class 150

½" - 1" Class 300

APPLICATIONS

Industrial and Oil/Gas piping applications requiring the higher flow capacity and lower pressure drop of full port internal flow-ways, and those applications where ease of reparability is desired.

CONSTRUCTION

The Keckley Style BVF2 Split-Body full port flanged end ball valves employ investment cast bodies & tailpieces, all produced from ASTM grade materials that are properly heat treated and chemically finished. All wall thicknesses comply with ASME B16.34 as do bolting stress levels.

FEATURES

- 2-Piece Bolted Body, Full Port Construction
- Fully Compliant to ASME B16.34
- Fully Compliant to API 608
- API 607 6th Edition Fire-Safe
- All Models are NACE MR0175 Compliant
- Elongated Packing Gland for Ease of Access When Automated
- Standard ISO Actuator Mounting Pads on All Sizes
- Standard Locking Stainless Steel Handles
- Second Generation PTFE Seats Provide Higher Operating Temperatures
- Standard Electrically Grounded Ball & Stem
- Optional Oval Handles

ORDERING

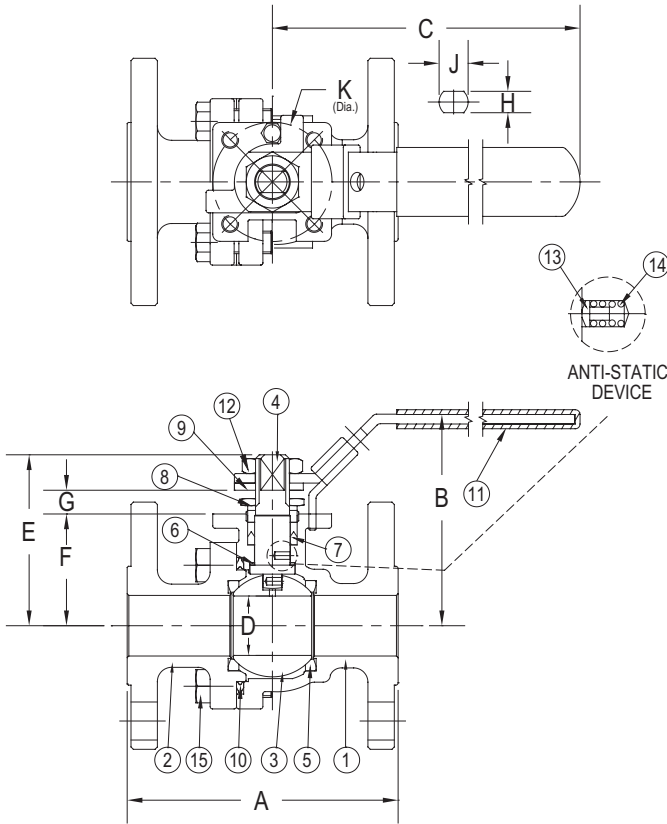
Reference *How to Order BVF2 Ball Valves* for building the Keckley Product Number.

WORKING PRESSURES - NON SHOCK

NOM. RATING	MATERIAL	MEDIA	½" to 1"	15 mm to 25 mm
ASME CLASS 150	A 216, WCB	W.O.G.	285 PSI @ 100°F	1965 KPa @ 38°C
		Saturated Steam (WSP)	200 PSI @ 388°F	1379 KPa @ 198°C
	MATERIAL	MEDIA	½" to 1"	15 mm to 25 mm
	A 351, CF8M	W.O.G.	275 PSI @ 100°F	1896 KPa @ 38°C
Saturated Steam (WSP)		195 PSI @ 386°F	1344 KPa @ 197°C	
NOM. RATING	MATERIAL	MEDIA	½" to 1"	15 mm to 25 mm
ASME CLASS 300	A 216, WCB	W.O.G.	740 PSI @ 100°F	5102 KPa @ 38°C
		Saturated Steam (WSP)	250 PSI @ 406°F	1724 KPa @ 208°C
	MATERIAL	MEDIA	½" to 1"	15 mm to 25 mm
	A 351, CF8M	W.O.G.	720 PSI @ 100°F	4964 KPa @ 38°C
Saturated Steam (WSP)		250 PSI @ 406°F	1724 KPa @ 208°C	

Style BVF2

Split-body Flanged Ball Valve



PARTS LIST			
ITEM	DESCRIPTION	MATERIAL	
1	Body	A 216, WCB	A 351, CF8M
2	Tailpiece	A 216, WCB	A 351, CF8M
3	Ball	A 351, CF8M or 316SS	A 351, CF8M or 316SS
4	Stem	A 276, 316	A 276, 316
5	Seat (2)	R-PTFE	R-PTFE
6	Thrust Washer	PTFE	PTFE
7	Stem Packing	Graphite	Graphite
8	Packing Gland	A 351, CF8M	A 351, CF8M
9	Lock Plate	300 Series SS	300 Series SS
10	Body Gasket	Graphite	Graphite
11	Handle	300 Series SS	300 Series SS
12	Handle Nut	300 Series SS	300 Series SS
13	Grounding Pin (2)	316SS	316SS
14	Grounding Spring (2)	300 Series SS	300 Series SS
15	Body Bolt (4)	A 193, B7	a 193, B8
16	Stop Bolt	304SS	304SS

SIZE		DIMENSIONS															
		A				B				C		D		E		F	
		150 lb.		300 lb.		150 lb.		300 lb.		150 lb. & 300 lb.		150 lb. & 300 lb.		150 lb. & 300 lb.		150 lb. & 300 lb.	
in	mm	in	mm	in	mm	in	mm	in	mm	in	mm	in	mm	in	mm	in	mm
1/2	15	4.25	108	5.50	140	2.78	70.5	2.78	70.5	5.17	131.4	0.59	15.0	2.09	53.1	1.34	34.0
3/4	20	4.62	117	6.00	152	3.07	78.0	3.03	77.0	6.97	177.0	0.81	20.6	2.57	65.3	1.54	39.0
1	25	5.00	127	6.50	165	3.45	87.6	3.46	87.8	7.76	197.0	1.00	25.4	2.85	72.4	1.85	47.0

Certified dimensional drawings are available upon request.

*This table reflects only the nearest metric equivalents.

SIZE		DIMENSIONS								ISO PATTERN	WEIGHTS			
		G		H		J		K			150 lb.		300 lb.	
		in	mm	in	mm	in	mm	in	mm		lbs	kgs	lbs	kgs
1/2	15	0.35	8.9	0.20	5.0	0.31	7.9	1.65	42.0	F04	3.5	1.6	5.3	2.4
3/4	20	0.43	10.9	0.28	7.0	0.44	11.1	1.65	42.0	F04	5.3	2.4	8.1	3.7
1	25	0.40	10.2	0.35	9.0	0.57	14.4	1.97	50.0	F05	7.3	3.3	11.0	5.0

Certified dimensional drawings are available upon request.

*This table reflects only the nearest metric equivalents.

FLOW COEFFICIENTS

Size	C _v	Size	C _v	Size	C _v
1/2"	23	3/4"	40	1"	62

MAX TORQUE

Size	in/lb	Size	in/lb	Size	in/lb
1/2"	70	3/4"	100	1"	200

PRESSURE vs. TEMPERATURE CHART

