

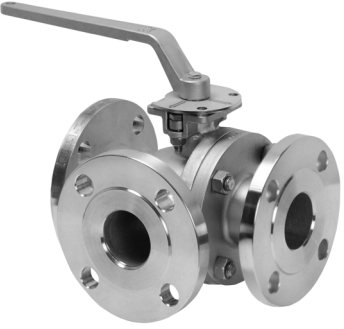


Style BVF3

Ball Valve

Carbon Steel (ASTM A 216, Grade WCB)
150 lb. Flanged

Stainless Steel (ASTM A 351, Grade CF8M)
150 lb. Flanged



Full Port 3-Way Flanged End Diverter Ball Valve

APPLICATIONS

The BVF3 3-Way Full Port flanged end diverter valve is designed with an “L” Port in the ball. Typical inlet is the “Center” or side port with fluid flow diverting to the left or right side by rotating stem/ball 90 degrees. There is no “shut-off” position. The BVF3 is a flow diverter valve that can replace two (2) valves and a pipe tee in flow diversion applications.

CONSTRUCTION

The Keckley Style BVF3 3-Way full flanged end ball valves employ investment or shell cast bodies & tailpieces, all produced from ASTM grade materials that are properly heat treated and chemically finished. All wall thicknesses comply with ASME B16.34 as do bolting stress levels.

FEATURES

- 2-Piece Bolted Body, Full Port Construction
- Wall Thickness, Testing, Bolting & Stress Levels Comply with ASME B16.34
- All Models are NACE MR0175 Compliant
- Submerged Packing System & Direct Mount Actuation
- Standard ISO Actuator Mounting Pads on All Sizes
- Standard Locking Stainless Steel Handles
- Second Generation PTFE Seats Provide Higher Operating Temperatures
- Standard Electrically Grounded Ball & Stem
- All Sizes use Body Studs & Nuts for Ease of Disassembly

ORDERING

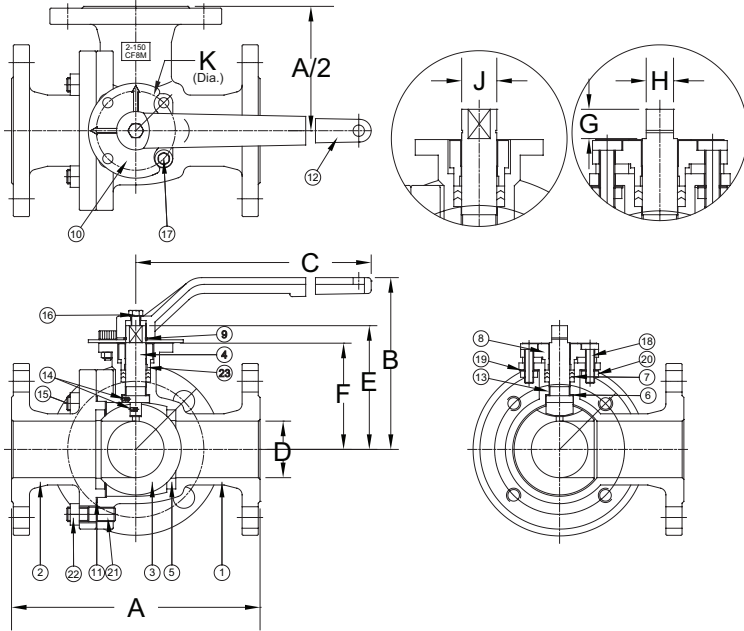
Reference *How to Order BVF3 Ball Valves* for building the Keckley Product Number.

WORKING PRESSURES - NON SHOCK

NOM. RATING	MATERIAL	MEDIA	1½” to 4”	40 mm to 100 mm
ASME CLASS 150	A 216, WCB	W.O.G.	285 PSI @ 100°F	1965 KPa @ 38°C
		Saturated Steam (WSP)	200 PSI @ 388°F	1379 KPa @ 198°C
	MATERIAL	MEDIA	1½” to 4”	40 mm to 100 mm
	A 351, CF8M	W.O.G.	275 PSI @ 100°F	1896 KPa @ 38°C
Saturated Steam (WSP)		195 PSI @ 386°F	1344 KPa @ 197°C	

Style BVF3

Split-body Flanged 3-Way Ball Valve



PARTS LIST			
ITEM	DESCRIPTION	MATERIAL	
1	Body	A 216, WCB	A 351, CF8M
2	Tailpiece	A 216, WCB	A 351, CF8M
3	Ball	A 351, CF8M or 316SS	A 351, CF8M or 316SS
4	Stem	A 276, 316	A 276, 316
5	Seat (2)	PTFE	PTFE
6	Thrust Washer	PTFE	PTFE
7	Stem Packing	PTFE	PTFE
8	Packing Gland	A 351, CF8	A 351, CF8
9	Retaining Ring	300 Series SS	300 Series SS
10	Lock Plate	304SS	304SS
11	Body Gasket	PTFE	PTFE
12	Handle	300 Series SS	300 Series SS
13	Stem Bearing	PTFE	PTFE
14	Grounding Ball (2)	316SS	316SS
15	Grounding Spring (2)	304SS	304SS
16	Handle Bolt	A 193, B8	A 193, B8
17	Stop Bolt	A 193, B8	A 193, B8
18	Packing Bolt (2)	A 193, B8	A 193, B8
19	Belleville Washers	300 Series SS	300 Series SS
20	Packing Nut (2)	A 194, 8	A 194, 8
21	Body Stud Bolts	A 193, B7	A 193, B8
22	Body Nuts	A 194, 2H	A 194, 8
23	Stem Bearing	PTFE	PTFE

SIZE		DIMENSIONS													
		A		B		C		D		E		F		G	
		150 lb.		150 lb.		150 lb.		150 lb.		150 lb.		150 lb.		150 lb.	
in	mm	in	mm	in	mm	in	mm	in	mm	in	mm	in	mm	in	mm
1-1/2	40	8.27	210.0	5.55	140.9	8.66	219.9	1.50	38.1	3.88	98.5	3.27	83.0	0.51	12.95
2	50	8.66	219.9	6.02	152.9	8.66	219.9	2.00	50.8	4.23	107.4	3.62	91.9	0.51	12.95
3	80	10.24	260.0	7.86	199.6	12.60	320.0	3.00	76.2	5.87	149.0	5.00	127.0	0.77	19.55
4	100	12.99	329.9	8.70	220.9	16.93	430.0	4.00	101.6	7.05	179.0	6.18	156.9	0.80	20.32

Certified dimensional drawings are available upon request.

SIZE		DIMENSIONS								WEIGHTS	
		H		J		K		ISO PATTERN			
		in	mm	in	mm	in	mm		in	mm	lbs
1-1/2	40	0.55	13.97	0.71	18.03	2.76	70.10	F07	19.5	8.8	
2	50	0.55	13.97	0.71	18.03	2.76	70.10	F07	28	12.7	
3	80	0.67	17.01	0.87	22.09	2.76	70.10	F07	56	25.4	
4	100	0.67	17.01	1.02	25.90	4.02	102.10	F10	101.5	46.0	

Certified dimensional drawings are available upon request.

FLOW COEFFICIENTS

Size	C _v	Size	C _v
1-1/2"	50	3"	250
2"	105	4"	425

MAX TORQUE

Size	in/lb	Size	in/lb
1-1/2"	260	3"	950
2"	380	4"	1750

PRESSURE vs. TEMPERATURE CHART

