

Style BVM2

Ball Valve

Carbon Steel (ASTM A 216, Grade WCB)

Stainless Steel (ASTM A 351, Grade CF8M)

NPT Ends



2-Piece Bolted Body Ball Valve

APPLICATIONS

High pressure Oil & Gas and Industrial piping applications where the safety of bolted-body construction is required, and the ability to repair the valve is important. Operating pressures of 3000 PSIG and lower are suitable.

CONSTRUCTION

Keckley Style BVM2 two-piece ball valves are constructed from investment cast ASTM grade materials that are NACE MR0175 compliant. They are machined to exacting specifications. Two-piece bolted construction eliminates the possibility of the tailpiece unthreading, leaking or “blowing out” in service. All valves are shell and seat tested in accordance with API 598.

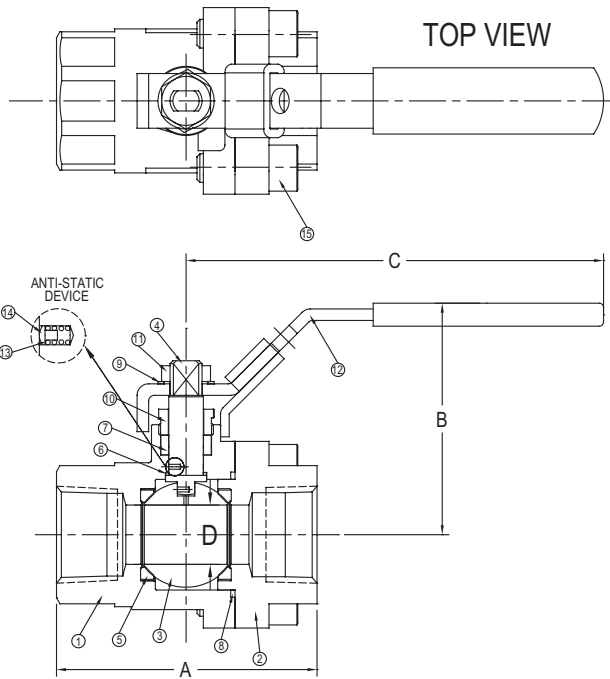
FEATURES

- 2-Piece, 4 Bolt Construction
- API 607 6th Edition Fire-Safe
- All Models are NACE MR0175 Compliant
- Plated Carbon Steel Locking Handles on WCB Valves
- 300 Series SS Locking Handles on CF8M Valves
- Electrically Grounded Ball & Stem
- Full or Reduced Port
- Optional PEEK Seats for High Temp Services
- Optional Oval Handles

ORDERING

Reference *How to Order BVM2 Ball Valves* for building the Keckley Product Number.

MATERIAL	MEDIA	¼" to 1"	8 mm to 25 mm
ASTM A 216, Grade WCB & ASTM A 351, Grade CF8M	W.O.G.	3000 PSI @ 100°F	20684 KPa @ 38°C
MATERIAL	MEDIA	¼" to 1"	8 mm to 25 mm
ASTM A 216, Grade WCB & ASTM A 351, Grade CF8M	Saturated Steam (WSP)	200 PSI @ 388°F	1379 KPa @ 208°C



Style BVM2

2-Piece Ball Valve

NPT Ends

PARTS LIST			
ITEM	DESCRIPTION	MATERIAL	
1	Body	A 216 Gr. WCB	A 351 Gr. CF8M
2	Tailpiece	A 216 Gr. WCB	A 351 Gr. CF3M
3	Ball	A 276 Gr. 316	A 276 Gr. 316
4	Stem	A 276 Gr. 316	A 276 Gr. 316
5	Seat (2) [†]	R-PTFE	R-PTFE
6	Thrust Washer	R-PTFE	R-PTFE
7	Stem Packing	Graphite	Graphite
8	Body Seal	Graphite	Graphite
9	Spring Washer	Stainless Steel	Stainless Steel
10	Packing Gland	A 276 Gr. 316	A 276 Gr. 316
11	Lock Nut	A 276 Gr. 304	A 276 Gr. 304
12	Lock Handle	A 283 Gr. CS	300 Series SS
13	Spring	304 SS	304 SS
14	Plunger	316 SS	316 SS
15	Cap Bolt	A 193 B7	A 193 B7

[†]Optional PEEK Seats for High Temp Service are available.

SIZE		DIMENSIONS				Flow Coefficients	Max Torque	WEIGHTS
in (Port)	mm	A	B	C	D			
1/4 (FP)	8	2.76	2.42	5.00	0.43	10	70	1.6
1/2 (RP)	15	2.76	2.42	5.00	0.43	10	70	1.5
1/2 (FP)	15	2.76	2.42	5.00	0.50	18	90	1.6
3/4 (FP)	20	3.56	3.17	5.71	0.81	32	130	3.6
1 (RP)	25	3.56	3.17	5.71	0.81	32	130	3.4

Certified dimensional drawings are available upon request.

PRESSURE vs. TEMPERATURE CHART

